

**NEW**

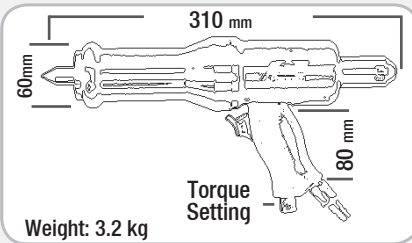


Order Code:  
**ACE016**

It is designed to solve problems encountered during pulling and extracting dowel pins.

### Dowel Pin Extractor - Puller Kit

- \* Dowel pins may trip and not be removed. Since the hook system is inserted type, it is not necessary to replace hooks at every pin extracting process.
- \* Hammering is not necessary. You only need to pull the trigger. It extracts inner threaded dowel pin easily and fastly.
- \* The extraction process is less dangerous, more precise, faster and more reliable in comparison to manual product in terms of occupational safety. It is used in machine assembly process.
- \* Its size is reduced in half in comparison to manual extraction.
- \* It can be use to extract dowel pins even under press machine.
- \* Thanks to torque setting, it prevents excessive fitting of dowel pins, it provides rigid assembly.



Weight: 3.2 kg

Ergonomical and small design



Special plastic bag packaging

**Pneumatic:** Please use pneumatic system with compressor and lubricating system in dry/non-humid air.

**Fitting:** Process is operated with 6 bar air power and with the forward-backward motion of the external body. When the fitting end is located on the dowel pin and the trigger is pulled, the mechanism moving forward-back helps the pin be fitted or extracted.

**Extraction:** Process is operated with 6 bar air and with the motion of forward-back of the outer case.

A screw (threaded bolt) is inserted in the fitted pin. The extraction end is inserted in the screw over the dowel pin and the trigger is pulled and when it is pulled back, the mechanism moving forward-back helps the pin extracted. This process is pretty practical.



Please visit  
"www.guvenal.net" to  
watch videos and mounting process.



Pin Fitting



Pin Extraction

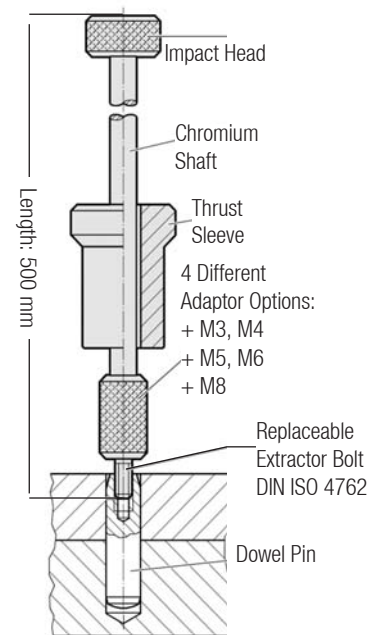


### Dowel Pin Extractor - Puller Kit

Manual Type

Order Code: **CTPC**

DIN EN ISO 8735 - ISO 8735



This product is designed to dismantle threaded dowel pins quickly and safely. In addition, it can be used on other threaded machine components. This extractor tool is supplied in plastic bag with adaptors between M3-M8.



# Practical Set

## ► Dowel Pin Extractor Puller Kit

Order Code: CTPC

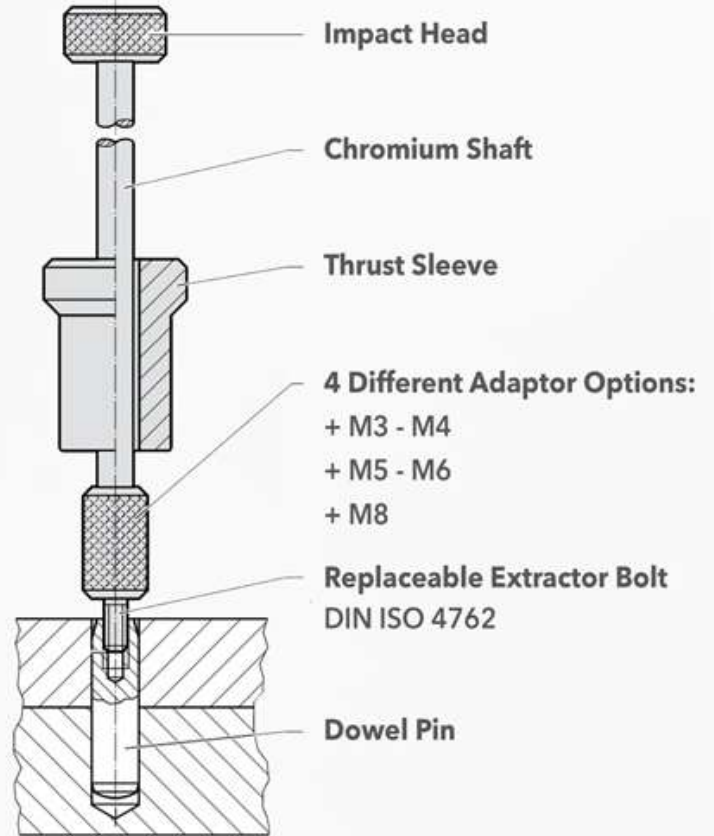


Special Price:

€ 99

This product is designed to dismantle threaded dowel pins quickly and safely. In addition, it can be used on other threaded machine components. This extractor tool is supplied in plastic bag with adaptors supplied in plastic bag with adaptors between M3 - M8.

### ► Technical Detail:



### ► Usage:

